



50Ω TERMINATED    18 GHz    SMA    N/O    D.P.3.T. SWITCH

OPTIONS : INDICATOR /SUPP.DIODES

**R F CHARACTERISTICS**

FREQUENCY RANGE : 0 - 18 GHz  
 IMPEDANCE : 50 Ohms

FREQUENCY (GHz)	0 - 3	3 - 8	8 -12.4	12.4- 18
V.S.W.R <=	1.20	1.30	1.40	1.50
INSERT. LOSS <=	0.20 dB	0.30 dB	0.40 dB	0.50 dB
ISOLATION >=	80 dB	70 dB	60 dB	60 dB
AVER. POWER (*)	240 W	150 W	120 W	100 W

**ELECTRICAL CHARACTERISTICS**

ACTUATOR : N/O  
 NOMINAL CURRENT AT 25°C (±10%) : 102 mA  
 ACTUATOR VOLTAGE (Vcc) : 28V (24 to 30V) / POSITIVE COMMON  
 TERMINALS : solder pins (250°C max./30 sec.)  
 INDICATOR RATING : 1 W / 30 V / 100 mA

**MECHANICAL CHARACTERISTICS**

CONNECTORS : SMA female per MIL C 39012  
 LIFE : 2.000.000 cycles  
 SWITCHING TIME (nominal voltage;25°C) : < 10 ms  
 CONSTRUCTION : splashproof  
 WEIGHT : < 100 g

**ENVIRONMENTAL CHARACTERISTICS**

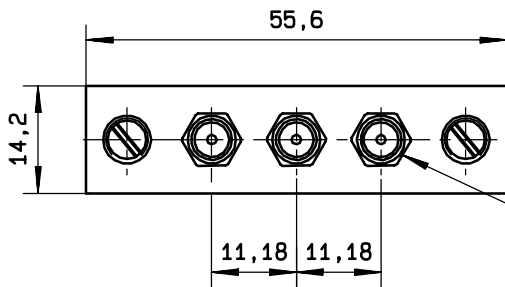
OPERATING TEMPERATURE RANGE (°C) : -40 , +85  
 STORAGE TEMPERATURE RANGE (°C) : -55 , +85

(\* : average power at 25°C)

This information is given as an indication. In the continual goal to improve our products, we reserve the right to make any modifications judged necessary

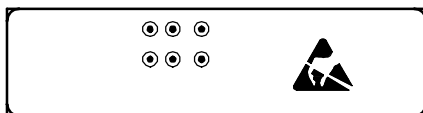
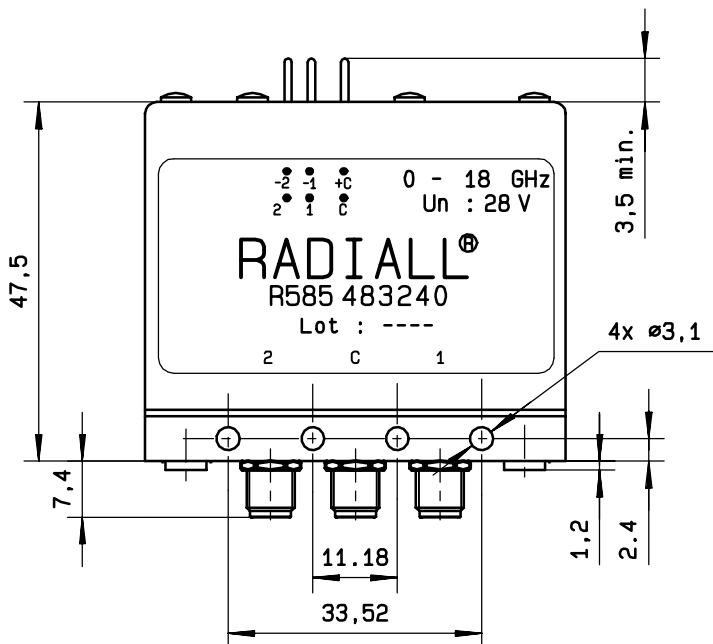
4112-9212

**DRAWING**



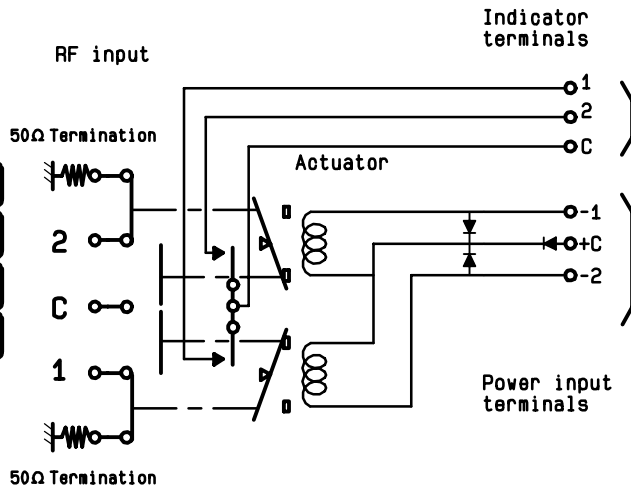
General tolerance: ± 0,5 mm

3 connectors SMA  
panel drilling:  
DIA 8.5 min



**SCHEMATIC DIAGRAM**

Voltage	RF continuity	Indicator
+ C - 1	C ↔ 1 / 2 ↔ 50Ω	C . 1
+ C - 2	C ↔ 2 / 1 ↔ 50Ω	C . 2
De-energized	1 ↔ 50Ω / 2 ↔ 50Ω	—



4113-9212 This information is given as an indication. In the continual goal to improve our products, we reserve the right to make any modifications judged necessary